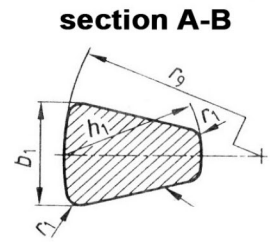
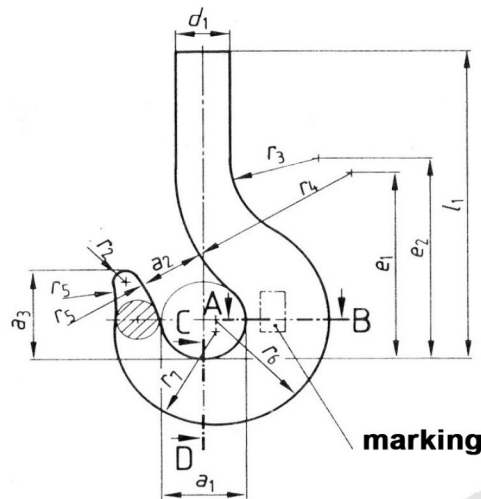


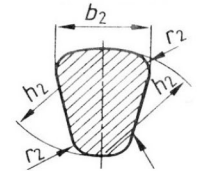
Single shank hook to UNI EN 13001-3-5:2016 (dimensions to DIN 15401) - forged type RF-RFN - art. 15401/RFN



**art. 15401/RF
without nose
for safety latch**



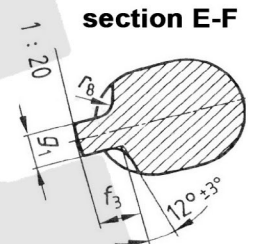
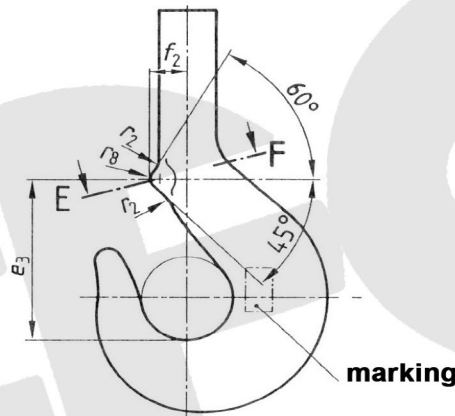
section A-B



section C-D



**art. 15401/RFN
with nose
for safety latch**



section E-F

* Reference standard	UNI EN 13001-3-5:2016 (dimensions to DIN 15401 - UNI 9469/1)
* Type of steel	Steel class M, P, S, T, V; stainless steel upon request
* Standard finish	Self-coloured; painted or galvanized upon request
* Applications	Lifting hook in industrial or marine block, in special lifting device
* Safety latch	Spring safety latch; gravity latch upon request
* Capacity	Varying depending on tensile class of steel and FEM class of crane
* Machining	Blank (unmachined) or machined according to DIN, UNI norms, or to customer's specifications
* Notes	Non-standard longer shank lengths available on request

size	Technical data																						appr. kg/pc.		
	measures mm																								
	a ₁	a ₂	a ₃	b ₁	b ₂	d ₁	e ₁	e ₂	e ₃	f ₂	f ₃	g ₁	h ₁	h ₂	l ₁	r ₁	r ₂	r ₃	r ₄	r ₅	r ₆	r ₇	r ₈	r ₉	
10	112	90	127	100	85	75	256	286	221	46	26	23	125	106	460	12	20	65	165	236	163	140	12	250	40
12	125	100	143	112	95	85	292	316	252	53	34	28	140	118	525	14	22	70	185	265	182	160	16	280	55
16	140	112	160	125	106	95	325	357	280	58	35	33	160	132	595	16	25	80	210	300	204	180	16	320	77
20	160	125	180	140	118	106	370	405	330	68	45	33	180	150	665	18	28	90	240	335	232	200	20	360	112
25	180	140	202	160	132	118	415	455	360	74	45	38	200	170	735	20	32	100	270	375	262	224	20	400	160
32	200	160	225	180	150	132	465	510	400	80	45	38	224	190	810	22	36	115	300	425	292	250	20	448	220
40	224	180	252	200	170	150	517	567	447	93	55	42	250	212	905	25	40	130	335	475	326	280	25	500	310
50	250	200	285	224	190	170	575	635	485	100	55	42	280	236	990	28	45	150	370	530	363	315	25	560	430
63	280	224	320	250	212	190	655	710	550	108	60	45	315	265	1120	32	50	160	420	600	408	355	25	630	600
80	315	250	358	280	236	212	727	802	598	113	60	45	355	300	1270	36	56	180	470	670	460	400	25	710	860
100	355	280	402	315	265	236	827	902	688	130	70	50	400	335	1415	40	63	200	530	750	516	450	30	800	1220
125	400	315	450	355	300	265	920	1020	750	138	70	50	450	375	1590	45	71	230	600	850	579	500	30	900	1740
160	450	355	505	400	335	300	1035	1145	825	147	70	55	500	425	1790	50	80	250	675	950	654	560	30	1000	2480
200	500	400	565	450	375	335	1150	1275	900	154	70	55	560	475	2048	56	90	285	750	1060	729	630	30	1120	3420
250	560	450	635	500	425	375	1280	1430	980	164	70	60	630	530	2305	63	100	320	840	1180	815	710	30	1260	4800