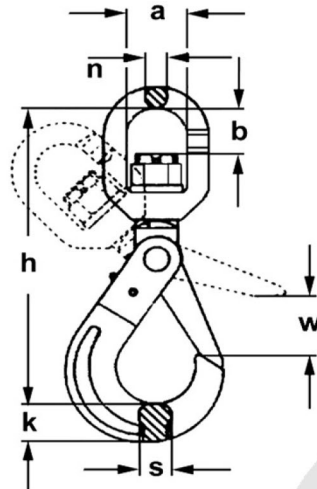


Swivel self-locking hook alloy steel grade 8 (T) - art. 8020



* Reference standard	UNI EN 1677-3
* Type of steel	Grade 8 (T) alloy steel, quenched and tempered
* Design factor	4 : 1
* Surface finish	Red RAL 3001 painted
* Technical features	Locks automatically when loaded, extremely tough safety latch
* Applications	Component of lifting slings made by grade 8 (T) chain or steel wire rope used in industry, marine, construction industry - lifting hook on truck mounted crane
* Warnings	Allowed working temperature -50° to +200° C - please refer to the technical part of fittings section for deepening and other warnings
* Remarks	Upon demand available in roller bearing version, that can rotate under load - art. 8020/C

Technical data

code	type	WLL t *	Diameter of chain		dimensions mm							weight each appr. kg
			mm	inch	width	height	opening	height	thick.	thickn.	dia.	
					a	b	w	h	s	k	n	
G8CFGSG06	1278	1,12	6	1/4	32	22	28	150	15	20	11,5	0,6
G8CFGSG08	2726	2	7 - 8	9/32 - 5/16	35	26	29	185	19	24	13	1,1
G8CFGSG10	2726	3,15	10	3/8	41	29	42	212	25	32	16	2
G8CFGSG13	2726	5,3	13	1/2	50	38	51	271	27	40	16	4
G8CFGSG16	2726	8	16	5/8	59	52	62	320	39	49	23	7,15
G8CFGSG20	2559	12,5	18 - 20	3/4	upon demand							
G8CFGSG22	2559	15	22	7/8	upon demand							
G8CFGSG26	2559	21,2	24 - 26	1	upon demand							
G8CFGSG32	2559	31,5	28 - 32	1.1/8-1.1/4	upon demand							

* metric tons of 1.000 kg

The sizes in bold character are stock-items.