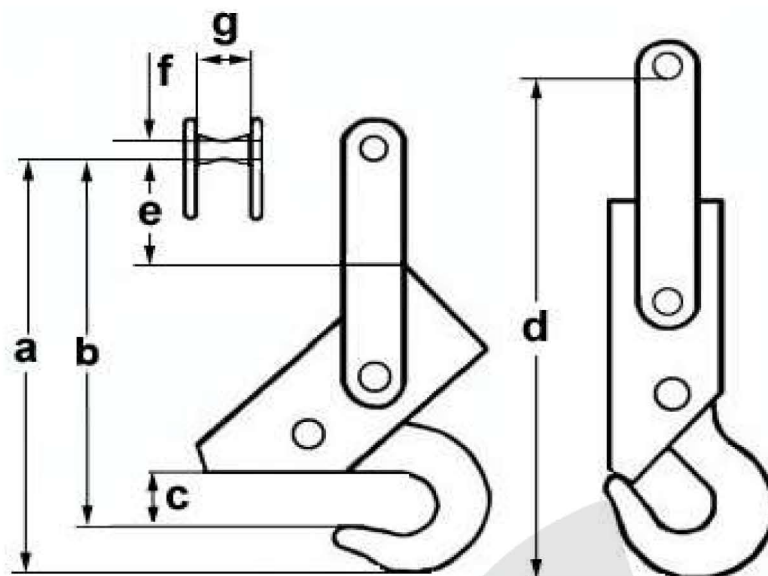


## Automatic lifting hook Gigasense® IS

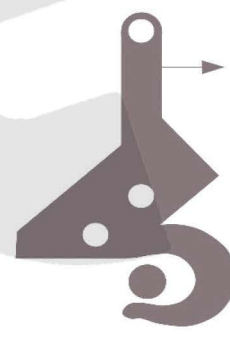
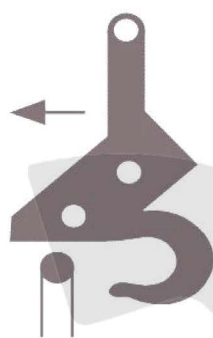


1. engages the load

2. lifts

3. lays down

4. releases



* Reference standard	Industrial standard
* Type of steel	Body and leverage: high tensile steel, hook: alloy steel grade 8 (T)
* Design factor (F.O.S.)	4 : 1
* Standard finish	Epoxy paint; special protective treatments upon demand
* Technical features	It closes automatically when the load is lifted, it opens automatically when, once it is lowered and laying on the load, it tilts by 60° to vertical, without operator's intervention
* Applications	Truck mounted hydraulic crane, handling of explosive, handling of gas bottle, dip of material to pickle or galvanize, handling of submersible pump, and generally all applications in which one only operator operates a crane and slings/unslings the load; in applications in which the slinging area is difficult to access or dangerous
* Notes	Non-standard capacities and versions, oversize measures upon request

Technical data									
measures mm									
code	capacity t <sup>(1)</sup>	height a	height b	opening c	height d	clearance e	diameter f	opening g	approx. kg/pc.
VSIS00200	2	310	275	63	330	72	20	42	3
VSIS00500	5	360	325	49	450	85	36	67	6,7
VSIS01000	10	490	425	70	580	110	44	68	15
VSIS01500	15	525	460	83	625	115	54	72	24
VSIS02000	20	668	558	95	728	128	65	83	37
VSIS02700	27	618	525	95	720	167	65	93	37

<sup>(1)</sup> metric tons of 1.000 kg

The sizes in bold characters are stock-items.