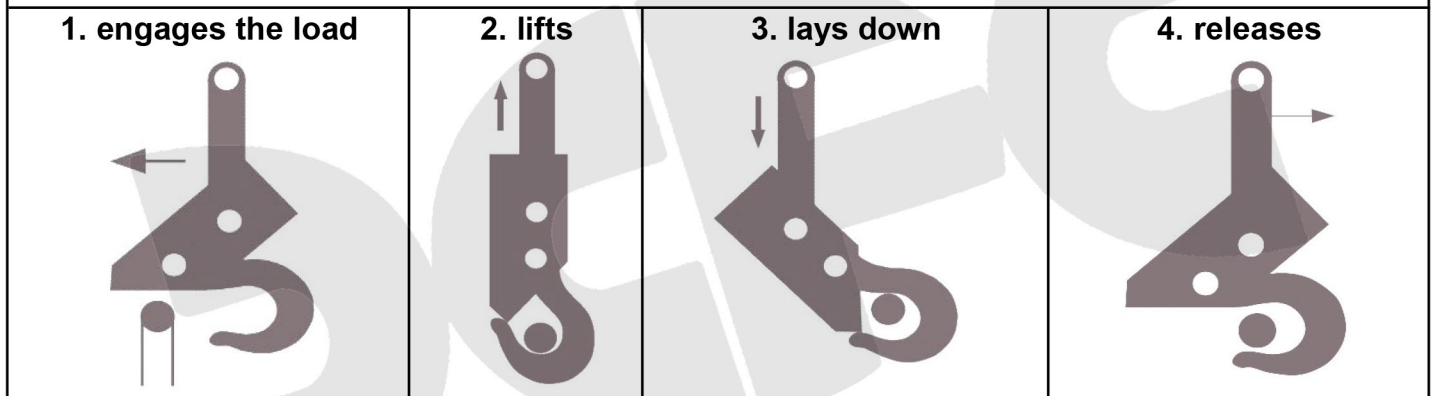
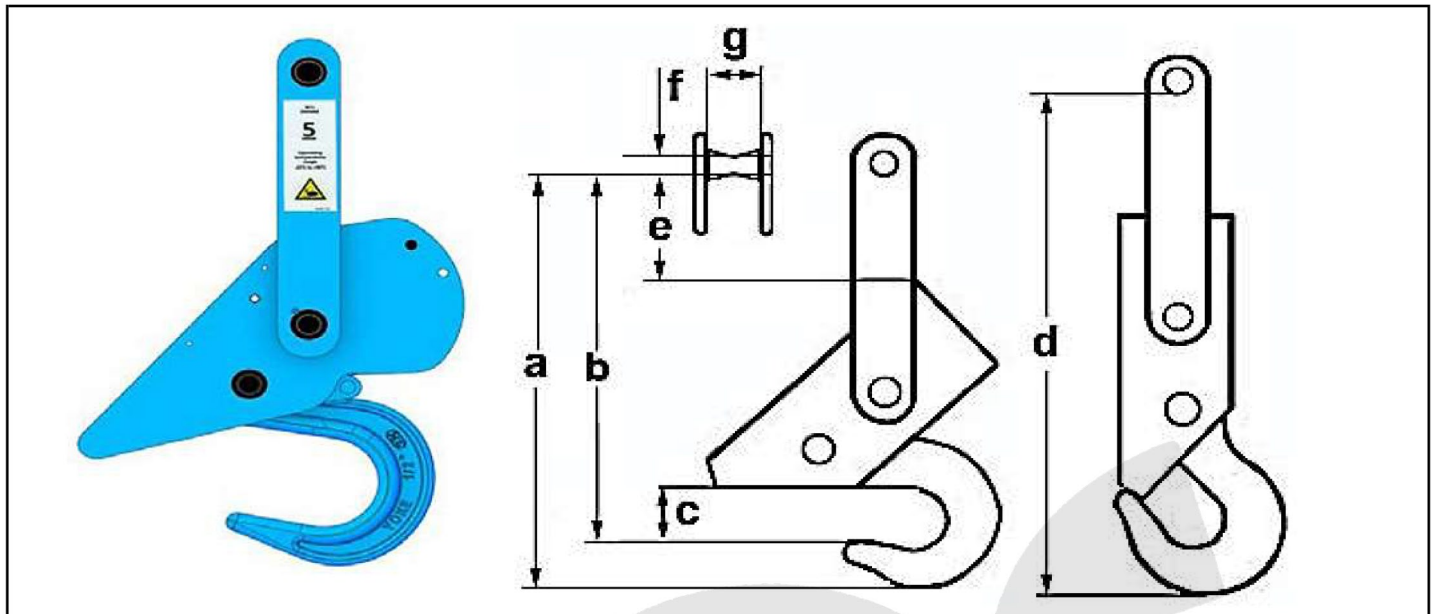


Automatic lifting hook Gigasense® IS BL with increased hook opening



* Reference standard	Industrial standard
* Type of steel	Body and leverage: high tensile steel Hook: alloy steel grade 10 (V)
* Design factor (F.O.S.)	4 : 1
* Standard finish	Epoxy paint; special protective treatments upon demand
* Technical features	It closes automatically when the load is lifted, it opens automatically when, once it is lowered and laying on the load, it tilts by 60° to vertical, without operator's intervention
* Applications	Truck mounted hydraulic crane, handling of explosive, handling of gas bottle, dip of material to pickle or galvanize, handling of submersible pump, and generally all applications in which one only operator operates a crane and slings/unslings the load; in applications in which the slinging area is difficult to access or dangerous
* Notes	Non-standard versions upon request

Technical data

code	capacity	measures mm								Weight per pc. approx. Kgs
		height	height	opening	height	clearance	diameter	opening	thickness	
	t ⁽¹⁾	a	b	c	d	e	f	g	h	
VSISBL025	2,5	302	308	62	338	73	20	42	19	3,1
VSISBL065	6,5	463	325	88	500	100	36	76	32	9,9
VSISBL015	15	528	425	113	618	113	54	76	58	28,7

⁽¹⁾ metric tons = 1.000 kg

The sizes in bold characters are stock-items.